



### High-frequency Transformer PQ2020H Series

#### Parameters/Dimensions:

##### PQ2020H Tpye 1

Information:

Shape: PQ2020H

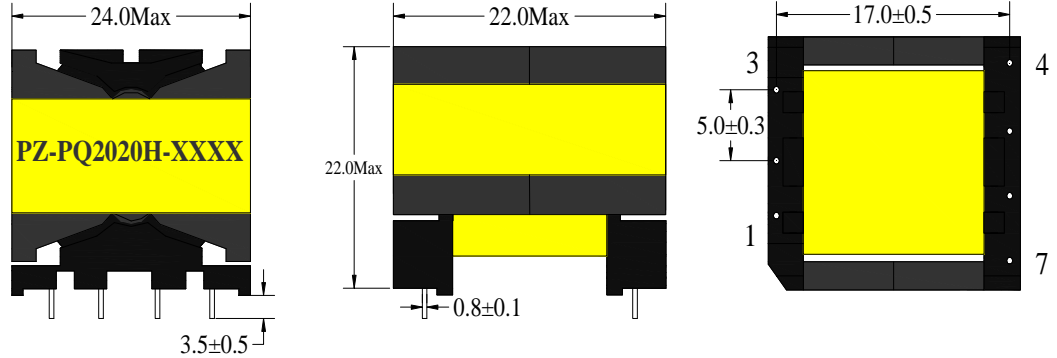
1 About Power:45W

2 Mounting

Orientation:Horizontal

3 Size: 24 (W) \* 22 (L) \* 22 (H)

4 Effective Ae (mm2): 62.0



#### Parameters/Dimensions:

##### PQ2020H Tpye 2

Information:

Shape: PQ2020H

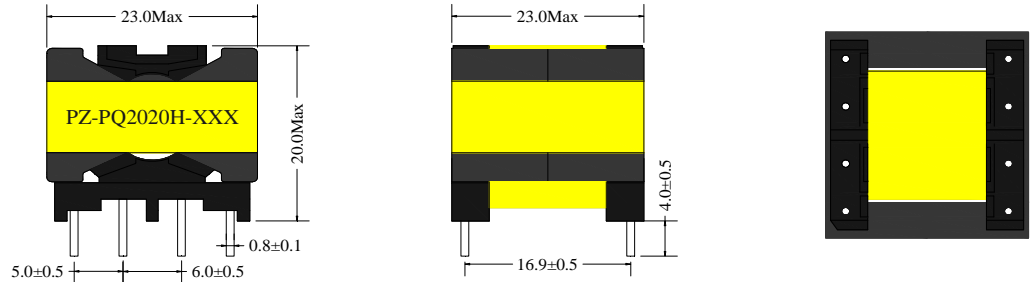
1 About Power:45W

2 Mounting

Orientation:Horizontal

3 Size: 23 (W) \* 23 (L) \* 20 (H)

4 Effective Ae (mm2): 62.0



#### Note:

Bobbin type listed in the traditional style, transformer design parameters to customer needs or to inject prevail.

#### PQ series high-frequency transformer features:

Low loss, low temperature, anti-jamming performance, reasonable shape, large power range (40W-600W), can effectively reduce installation size, with multiple pins to facilitate wound wiring. Low assembly cost, easy to meet safety requirements, but standardization than the southern.

#### Uses:

Main power transformers, drive transformers, smoothing chokes, auxiliary power transformer. Mainly used in networking, communications, power, electrical equipment, medical and other fields.